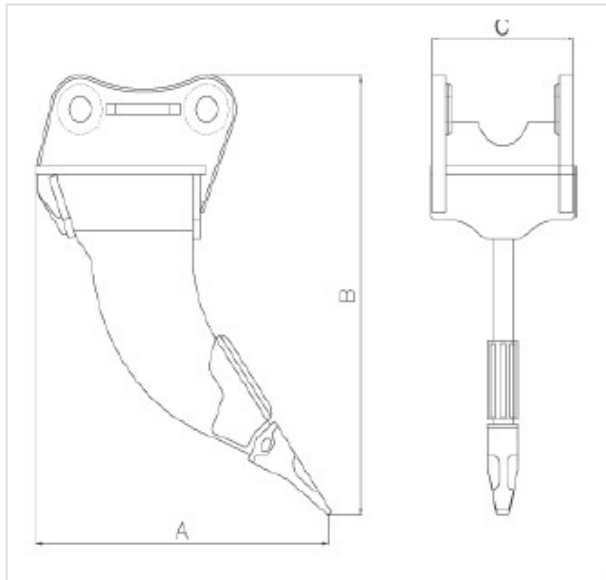


## Vulcan Ripper



### Technical Specifications

Description		Unit	VMR15	VMR20	VMR30
Operating Weight		kg	446	531	648
		lb	984	1171	1429
Dimension	A	mm	812	967	1179
		inch	32	38	46
	B	mm	1070	1273	1553
		inch	42	50	61
	C	mm	399	475	579
		inch	16	19	23
Carrier Weight		tonne	15~10	16~20	20~30
		1000lb	22~33	35~44	44~71