

Chipping Hammers



- ★ **Made in the U.S.A.**
- ★ **Rocker valve assembly for less maintenance.**
- ★ **American quality forged steel handle.**
- ★ **Three sizes: 2", 3" and 4" stroke pistons.**
- ★ **Available with round or hex bushing.**
- ★ **High quality alloy steel barrel.**

2

Texas Pneumatic is proud to offer chipping hammers completely made in the U.S.A. We will guarantee the quality of this chipping hammer versus any chipping hammer in the world.

3 Models Available TX-CH2, TX-CH3, & TX-CH4

** See page 69 for available chisels & points*

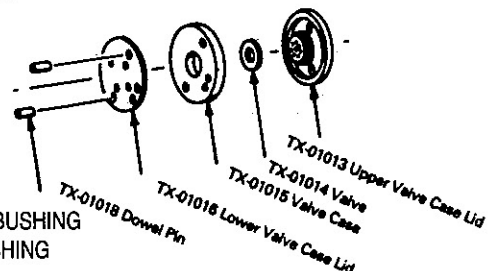
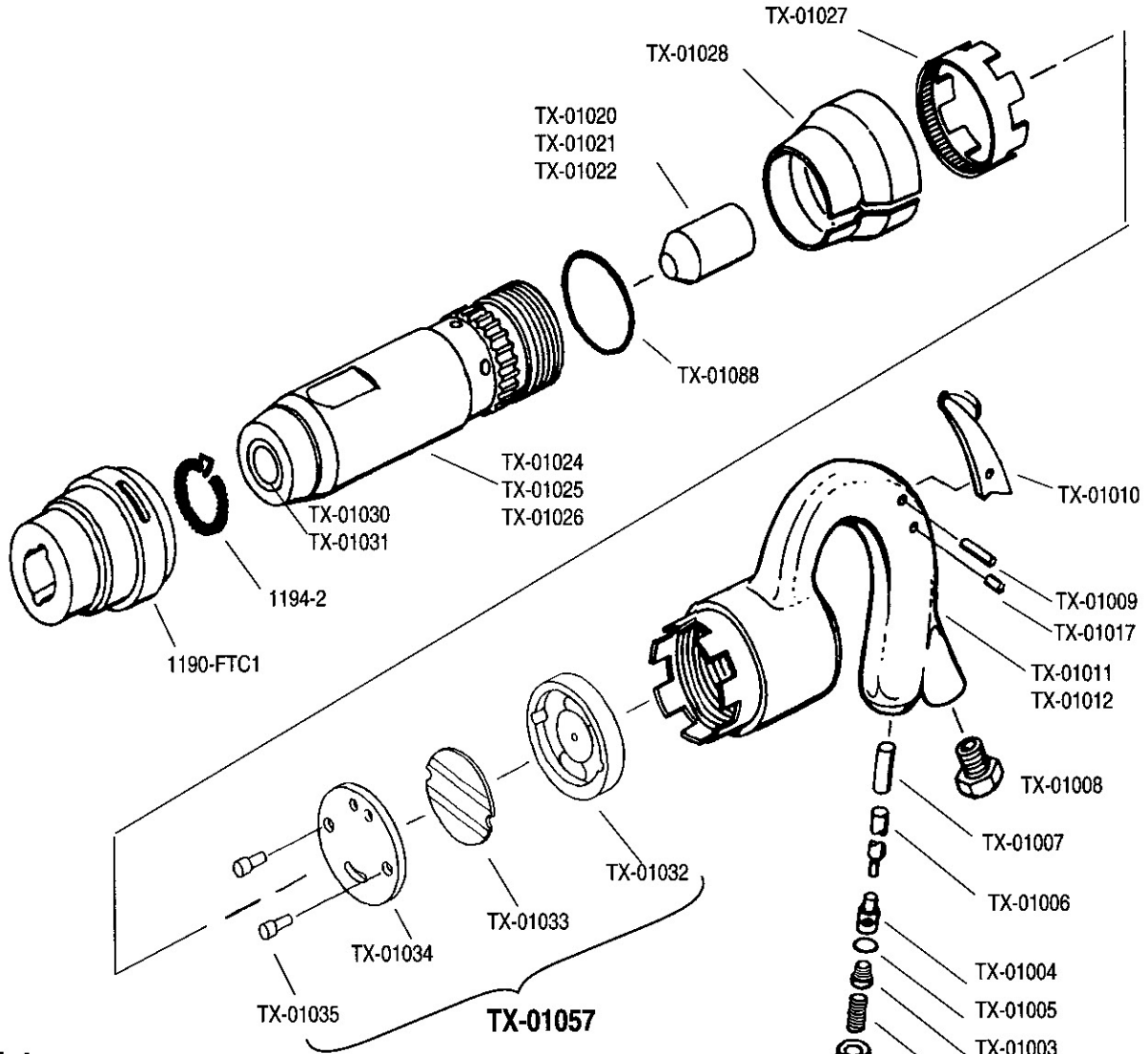
SPECIFICATIONS:

MODEL #	PISTON DIAMETER	PISTON STROKE	NUMBER OF IMPACTS PER MINUTE	HOSE SIZE	OVERALL LENGTH	AIR CONSUMPTION	WEIGHT
TX-CH2	1-1/8"	2"	2100	1/2"	16-1/4"	32 CFM	15.7#
TX-CH3	1-1/8"	3"	1650	1/2"	17-23/32"	33 CFM	16.7#
TX-CH4	1-1/8"	4"	1375	1/2"	19-7/32"	34 CFM	18.1#

**For listing of parts, see schematic and parts breakdown page.*

Chipping Hammers

TX-CH2, TX-CH3, TX-CH4 Chipping Hammers



OLD STYLE VALVE ASSEMBLY

Part List

PART #	DESCRIPTION	PART #	DESCRIPTION
1194-2	RETAINER SPRING	TX-01017	STOP PIN
1190-FTC1	RETAINER	TX-01020	1" & 2" STROKE PISTON
TX-01001	THROTTLE VALVE PLUG	TX-01021	3" STROKE PISTON
TX-01002	THROTTLE VALVE SPRING	TX-01022	4" STROKE PISTON
TX-01003	THROTTLE VALVE (INCLUDES "O" RING)	TX-01024	2" STROKE BARREL
TX-01004	THROTTLE VALVE BUSHING	TX-01025	3" STROKE BARREL
TX-01005	THROTTLE VALVE "O" RING	TX-01026	4" STROKE BARREL
TX-01006	THROTTLE VALVE PUSH PIN	TX-01027	LOCK
TX-01007	PUSH PIN BUSHING	TX-01028	LOCK SHIELD
TX-01008	PERMANENT BUSHING	TX-01030	ROUND FRONT END BUSHING
TX-01009	THROTTLE LEVER PIN	TX-01031	HEX FRONT END BUSHING
TX-01010	THROTTLE LEVER	TX-01032	VALVE LID
TX-01011	FORGED HANDLE COMPLETE INCLUDES: TX01001, TX01010, TX01017	TX-01033	FLAPPER VALVE
TX-01012	FORGED HANDLE BARE	TX-01034	BOTTOM SEAT
		TX-01035	DOWEL PIN (2)
		TX-01057	VALVE ASSEMBLY
		TX-01088	CYLINDER "O" RING