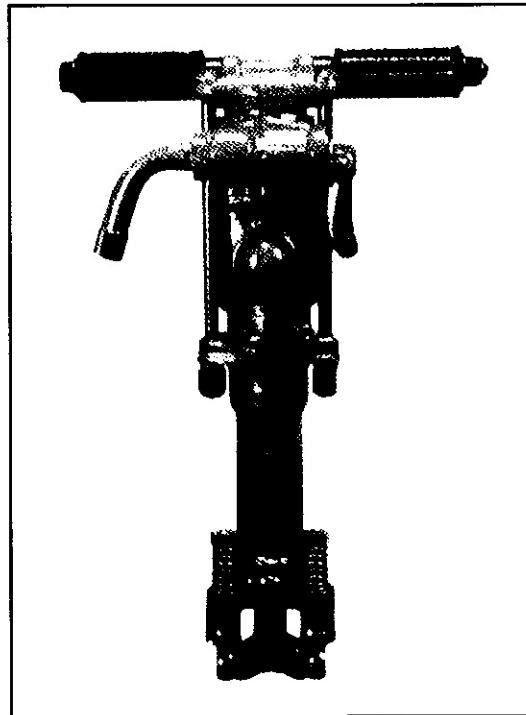


30# Rock Drill

2

TX30RD

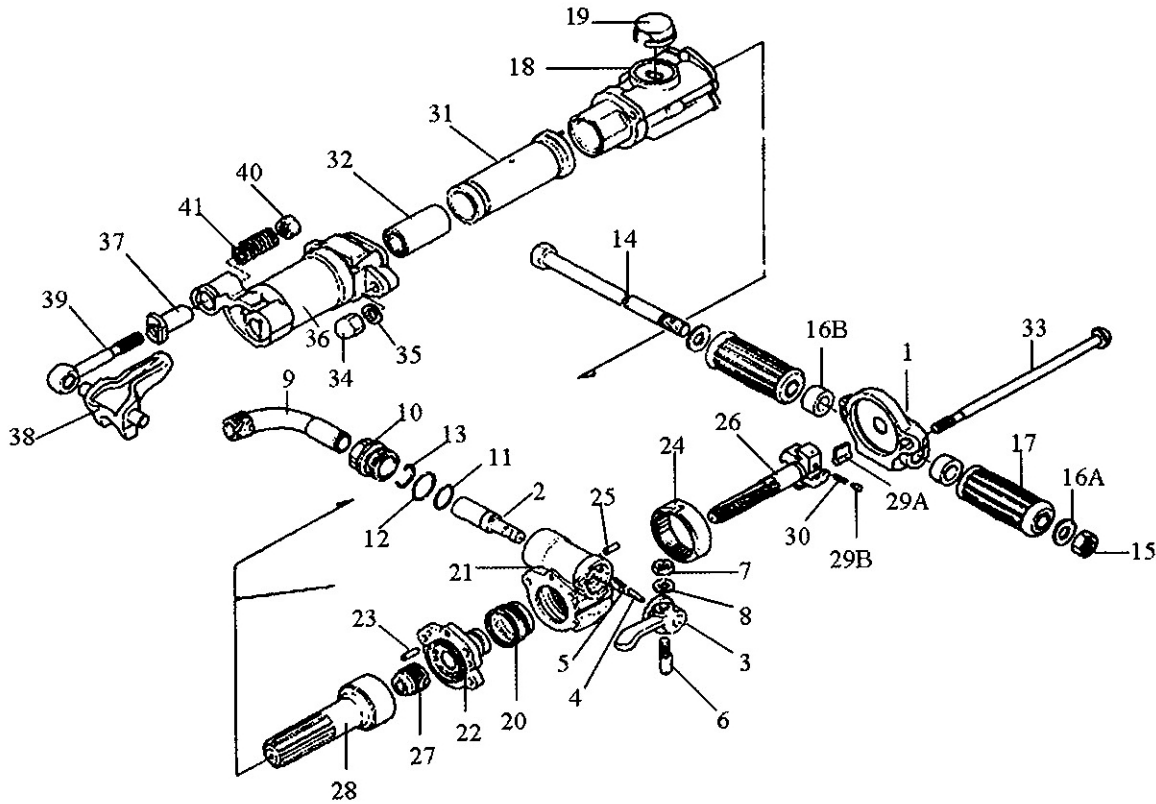


30# ROCK DRILL

S P E C I F I C A T I O N S	Model#		TX30RD
	Net Weight	14 kg	30 lbs
	Length	468 mm	18.5 in
	Bore	54 mm	1.125 in
	Stroke	45 mm	1.75 in
	Blows per Minute	2450	2450
	RPM	250	250
	Chuck Sizes	22 x 108 mm	7/8 x 4 1/4 in
		22 x 83 mm	7/8 x 3 1/4 in
	Air Inlet (NPT)	12 mm	1/2 in
Air Consumption *	1.6 m ³ /m	56 cfm	

* ESTIMATED

30# Rock Drill



2

ITEM#	PART#	DESCRIPTION	ITEM#	PART#	DESCRIPTION
1	TX37001	Backhead (dry)	23	TX37023	Valve Dowel Pin
2	TX37002	Throttle Valve	24	TX37024	Ratchet Ring
3	TX37003	Throttle Valve Handle	25	TX37025	Ratchet Ring Dowel Pin
4	TX37004	Throttle Valve Plunger	26	TX37026	Rifle Bar
5	TX37005	Throttle Valve Spring	27	TX37027	Rifle Nut
6	TX37006	Throttle Valve Bolt	28	TX37028	Piston
7	TX37007	Throttle Valve Nut	29A	TX37029A	Rotation Pawl (4)
8	TX37008	Throttle Valve Washer	29B	TX37029B	Pawl Plunger (4)
9	TX37009	Air Connection Elbow	30	TX37030	Plunger Spring (4)
10	TX37010	Air Connection Nut	31s	TX37031S	Rotation Sleeve 7/8" x 3 1/4"
11	TX37011	Air Connection "O" Ring	31	TX37031	Rotation Sleeve 7/8" x 4 1/4"
12	TX37012	Air Connection "O" Ring	32s	TX37032S	Sleeve Bushing 7/8" x 3 1/4"
13	TX37013	Air Connection Retainer	32	TX37032	Sleeve Bushing 7/8" x 4 1/4"
14	TX37014	Handle Bolt	33	TX37033	Side Rod Bolt
15	TX37015	Handle Bolt Nut	34	TX37034	Side Rod Bolt Nut
16A	TX37016A	Handle Bolt Washer (2)	35	TX37035	Side Rod Bolt Washer
16B	TX37016B	Handle Grip Spacer (2)	36s	TX37036S	Front Head 7/8" x 3 1/4"
17	TX37017	Handle Grip	36	TX37036	Front Head 7/8" x 4 1/4"
18	TX37018	Cylinder	37	TX37037	Fronthead Bushing (2)
19	TX37019	Exhaust Cap	38	TX37038	Steel Holder
20	TX37020	Valve	39	TX37039	Steel Holder Bolt
21	TX37021	Valve Chest	40	TX37040	Steel Holder Nut
22	TX37022	Valve Guide	41	TX37041	Steel Holder Spring