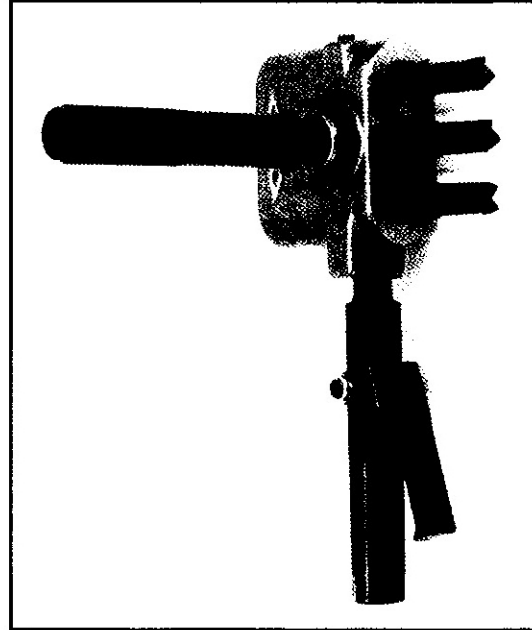
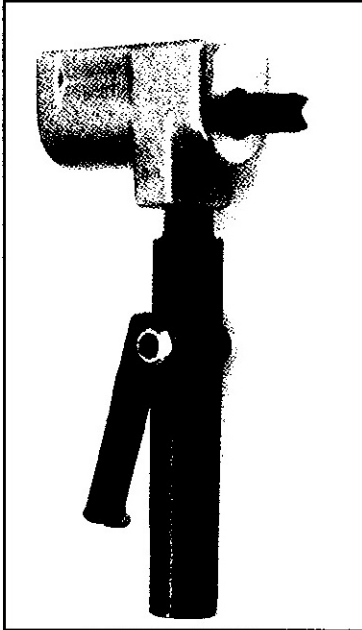


# S1 / T3 Piston - Type Scalers

- ★ *Rugged steel body.*
- ★ *Lever operated snap handle.*
- ★ *Optional brass air cock valve available.*
- ★ *Variety of pistons available.*
- ★ *Proudly made in the U.S.A.*



**2**

**Tool Applications:**  
**Single Piston Scaler (S1)**

- *Removing rust and paint.*
- *Removing cement from steel.*
- *Roughing cement.*
- *Used in more compact areas where the T3 will not fit.*

**Tool Applications:**  
**Triple Piston Scaler (T3)**

- *Removing rust and paint.*
- *Removing cement from steel.*
- *Roughing cement.*
- *Piston scalers can be used in areas that standard model scalers will not fit.*

**SPECIFICATIONS:**

MODEL #	S1	T3
STROKE	13/16"	13/16"
LENGTH	9"	11"
WEIGHT	4 lbs. 8 oz.	8 lbs. 4½ oz.
BORE	1"	1"
INLET	3/8" NPT	3/8" NPT
BPM	4,000	5,200
MIN. HOSE SIZE	3/8" ID	3/8" ID
CFM CONS.	9	15

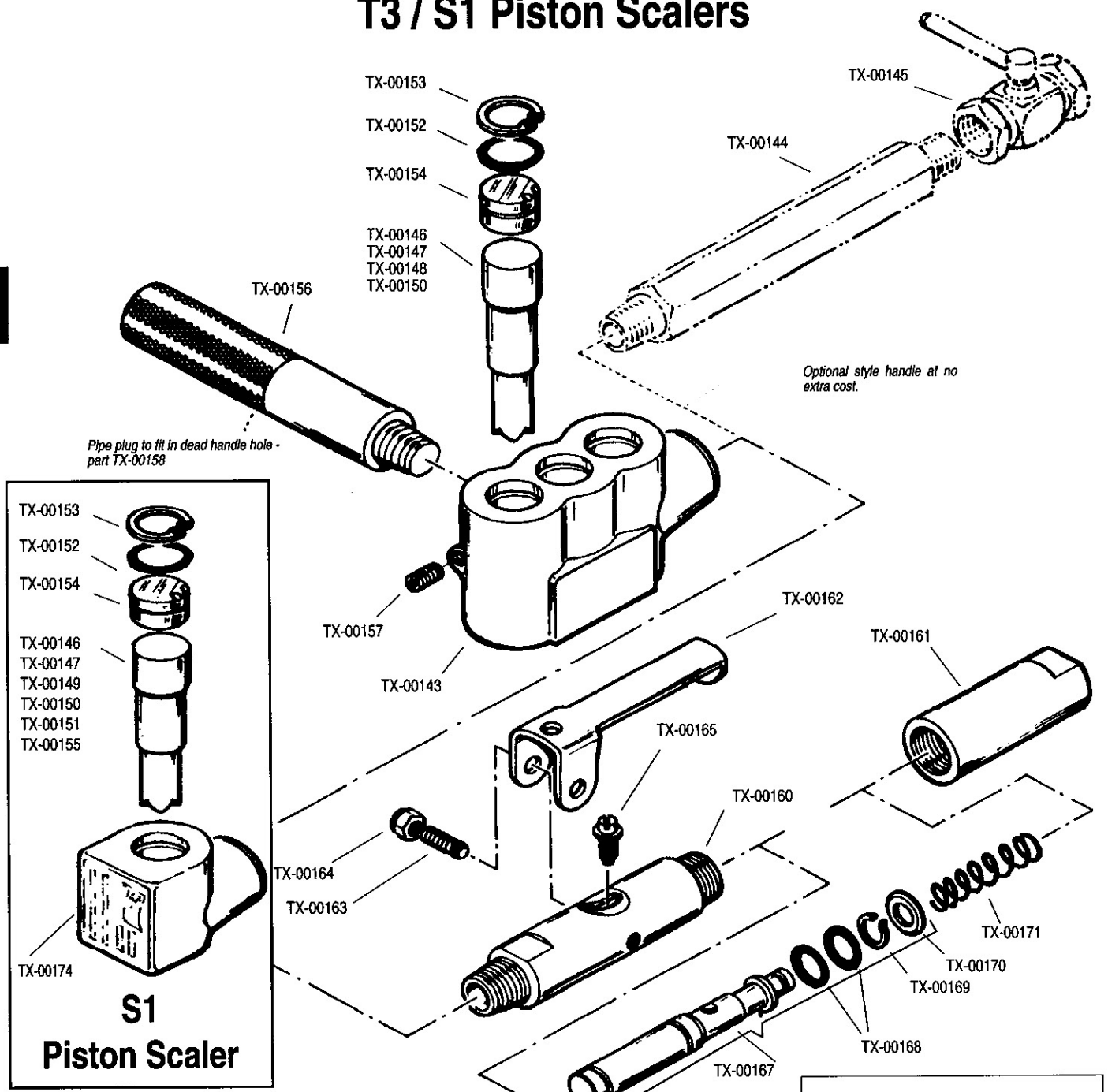
**Replacement Pistons:**

MODEL #	DESCRIPTION
TX-00146	STANDARD STEEL PISTON
TX-00147	STANDARD STEEL (2" LONGER THAN STANDARD)
TX-00149	CARBIDE TIPPED PISTON (CHISEL POINT)
TX-00150	CARBIDE TIPPED PISTON (STAR POINT)
TX-00151	REXALLOY: SOLID COBALT ALLOY PISTONS (STAR POINT)
TX-00155	REXALLOY: SOLID COBALT ALLOY PISTONS (CHISEL POINT)

# S1 / T3 Piston - Type Scalers

## T3 / S1 Piston Scalers

**2**



### Part List

PART #	DESCRIPTION
TX-00143	BODY (T3)
TX-00144	AIR HANDLE
TX-00145	AIR COCK
TX-00146	STANDARD STEEL PISTON
TX-00147	STND. ST. PST. (2" LONGER THAN STANDARD)
TX-00149	CARBIDE TIPPED PISTON (CHISEL POINT)
TX-00150	CARBIDE TIPPED PISTON (STAR POINT)
TX-00151	REXALLOY PISTON (STAR POINT)
TX-00152	RING SEAL FOR PLUG
TX-00153	RETAINER RING FOR PLUG
TX-00154	NYLON PLUG
TX-00155	REXALLOY PISTON (CHISEL POINT)
TX-00156	DEAD HANDLE (T3)
TX-00157	PIPE PLUG FOR BODY (T3)

TX-00158	1/2" PIPE PLUG - DEAD HANDLE HOLE
TX-00159	SNAP HANDLE COMPLETE
TX-00160	SNAP HANDLE BODY
TX-00161	SNAP HANDLE BODY END (S1 AND T3)
TX-00162	THROTTLE LEVER
TX-00163	PIVOT SCREW
TX-00164	PIVOT SCREW NUT
TX-00165	OPERATING STUD
TX-00167	SNAP HANDLE VALVE ASSEMBLY
TX-00168	RING SEAL FOR VALVE
TX-00169	VALVE RING SEAL
TX-00170	NYLON WASHER
TX-00171	VALVE SPRING
TX-00174	BODY (S1)

### CLECO SC-3-A & TEXAS PNEUMATIC CROSS REFERENCE

CLECO#	TPT#	DESCRIPTION
834052	TX-00146	STANDARD STEEL PISTON
834054	TX-00158	1/2" PIPE PL (D.H. HOLE)
834064	TX-00150	CARBIDE TIPPED PISTON
834067	TX-00147	STL. PSTN. (2" LNGR)
841548	TX-00144	AIR HANDLE
843430	TX-00157	PIPE PLUG FOR T3 BODY
850187	TX-00145	AIR COCK